

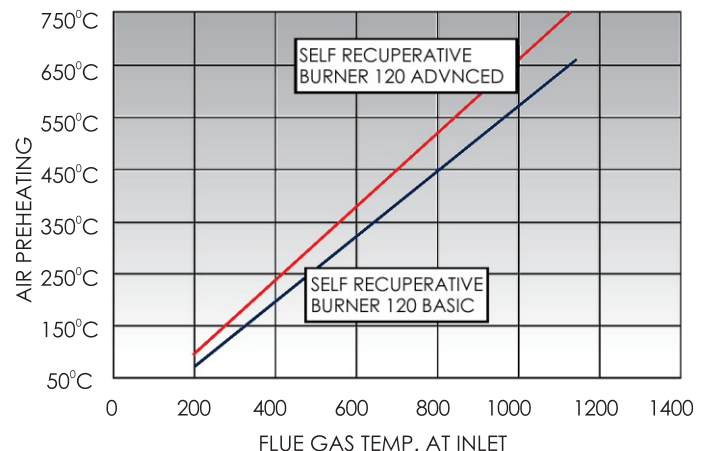
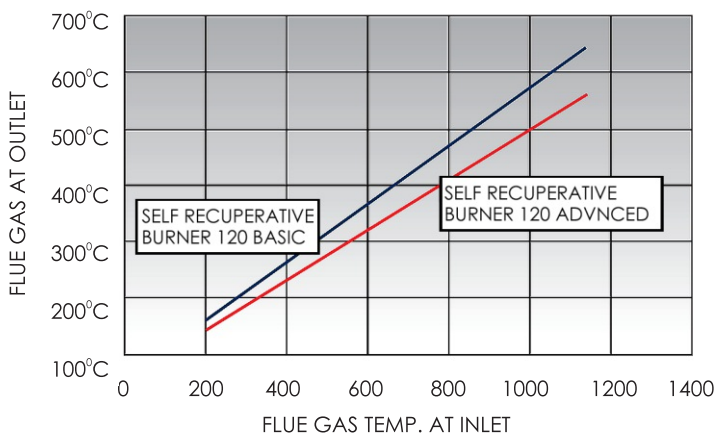
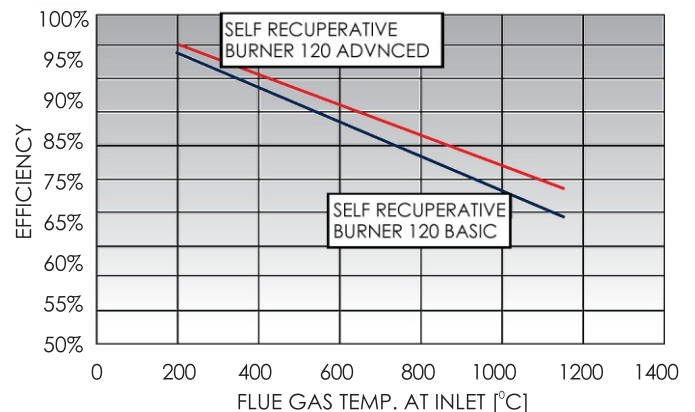
SELF RECUPERATIVE DUAL FUEL BURNERS

Self Recuperative Dual Fuel Burners are equipped with an integrated heat exchanger to preheat combustion air by thermal utilisation of the flue gases. Depending on the application, energy savings of 30% or more are achievable. Self Recuperative Burners are applicable for Single Ended Radiant Tubes (SER) as well as for open fired industrial furnaces. The RECUPERATIVE BURNER BASIC which is equipped with a Tube Type Recuperator will achieve pay back within a short period of time. The SELF RECUPERATIVE ADVANCED with a cased Fin Type Recuperator is highly efficient and will further shorten the pay back period.



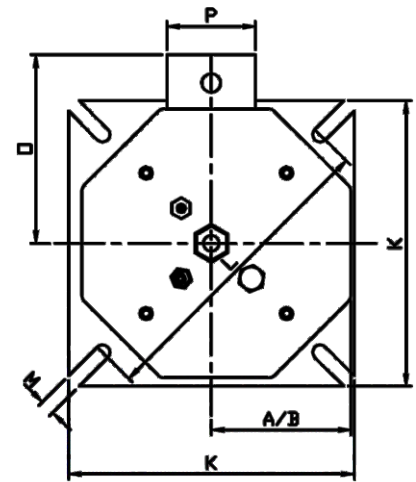
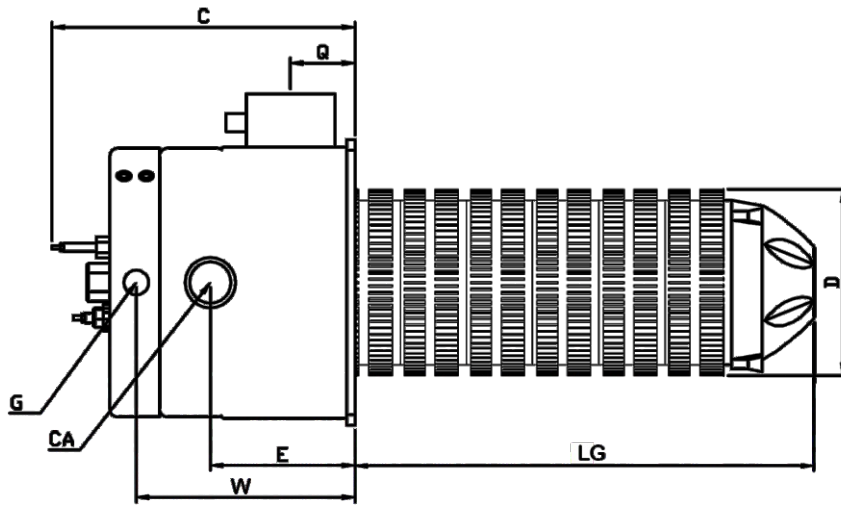
DESCRIPTION

- Capacity Range 30-300 kW
- Suitable for Single Ended Radiant Tubes with 100-300 mm dia
- Ignition by direct spark or LPG Pilot on request
- Flame supervision by flame rod (single electrode) or UV-cell
- High Flame Velocity
- Flame Less
- Low-NOx-combustion
- Available for Natural Gas, LPG, Coke Oven Gas, Mixed Gas, HSD, Furnace oil etc.



EXPLANATION

The charts shown here are samples for the Self Recuperative Burner 120 Series, recuperator length 540 mm, connecting capacity 80 kW, operation with natural gas and 10% excess air in ON/OFF-pulse mode with a duty cycle of appr. 70%. Irregular operating conditions will result in differing data.



TECHNICAL DATA

BURNER MODEL		Gas Type (1)	NUMBER OF FINED SEGMENTS	CONNECTED CAPACITY kW (2)	DIMENSIONS (mm)														
SERIES	TYPE				G	CA	A	B	C	D	E	LG(3)	W	K	L	M	O	P	Q
SELF RECUPERATIVE	30	N/L	0/12/16	30	Rp1/2"	Rp1"	91	91	277	85	149	5540/540/690	199	198	216	18	155	70	60
SELF RECUPERATIVE	30	C/P	0/12/16	25	Rp1/2"	Rp1"	91	91	277	85	150	540/540/690	199	198	216	18	155	70	60
SELF RECUPERATIVE	70	N/L	0/12/16	70	Rp1/2"	Rp1 1/2"	116	116	306	135	171	540/540/690	228	248	266	18	180	84	67
SELF RECUPERATIVE	70	C/P	0/12/16	50	Rp1/2"	Rp1 1/2"	116	116	306	135	171	540/540/690	228	248	266	18	180	84	67
SELF RECUPERATIVE	120	N/L	0/12/16	120	Rp1/2"	Rp1 1/2"	116	116	306	180	171	540/540/690	228	248	266	18	180	84	67
SELF RECUPERATIVE	120	C/P	0/12/16	100	Rp3/4"	Rp1 1/2"	116	116	316	180	171	540/540/690	233	248	266	18	180	84	67
SELF RECUPERATIVE	200	N/L	0/12/16	200	Rp3/4"	Rp 2"	165	165	362	240	207	540/540/690	274	349	361	18	240	108	79
SELF RECUPERATIVE	200	C/P	0/12/16	160	Rp1"	Rp 2"	165	165	362	240	207	540/540/690	274	349	361	18	240	108	79
SELF RECUPERATIVE	300	N/L	0/12/16	300	Rp1"	Rp 2"	165	165	362	275	207	540/540/690	274	349	361	18	240	108	79
SELF RECUPERATIVE	300	C/P	0/12/16	210	Rp1"	Rp 2"	165	165	367	275	207	540/540/690	274	349	361	18	240	108	79

(1) N = NATURAL GAS; L = LPG; C = COG; P = LEAN GAS (2) APPROXIMATE VALUE, $\gamma = 1,15$ (3) SELF RECUPERATIVE BASIC / SELF RECUPERATIVE ADVANCED / SELF RECUPERATIVE ADVANCED PLUS

Subject to modifications; in case of order you will receive a binding dimension drawing.



*Air inlets of burners are in BSP thread

WESMAN THERMAL ENGINEERING PROCESSES PVT LTD
 WESMAN CENTER, 8 MAYFAIR ROAD, KOLKATA 700019, INDIA
 TEL: +91 (33) 40020300 FAX: +91 (33) 22908050
 EMAIL: combustion@wesman.com
 WEBSITE: www.wesman.com
 Information in this document is non-binding and subject to modification

REGIONAL SALES AND SERVICE OFFICES:
 ■ MUMBAI +91 (22) 49799143 ■ DELHI NCR (129) 4005791
 ■ CHENNAI (44) 26561300 ■ BANGALORE (80) 22225756
 ■ PUNE (20) 46703004 ■ AHMEDABAD (79) 30027355
 ■ HYDERABAD +91 9392730303 ■ NAGPUR (712) 2523424
 ■ RAIPUR ■ JAMSHEDPUR ■ LUDHIANA